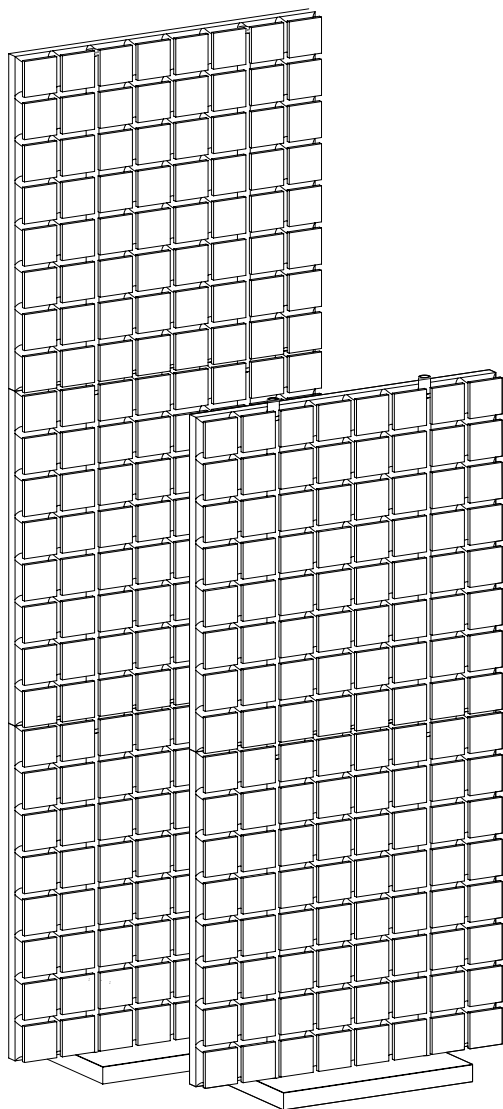


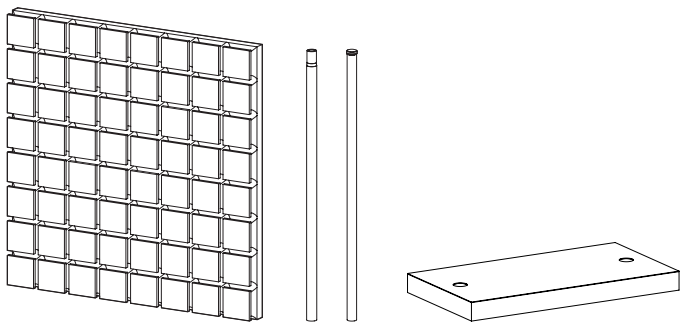
Flexi Wall

Installation Manual

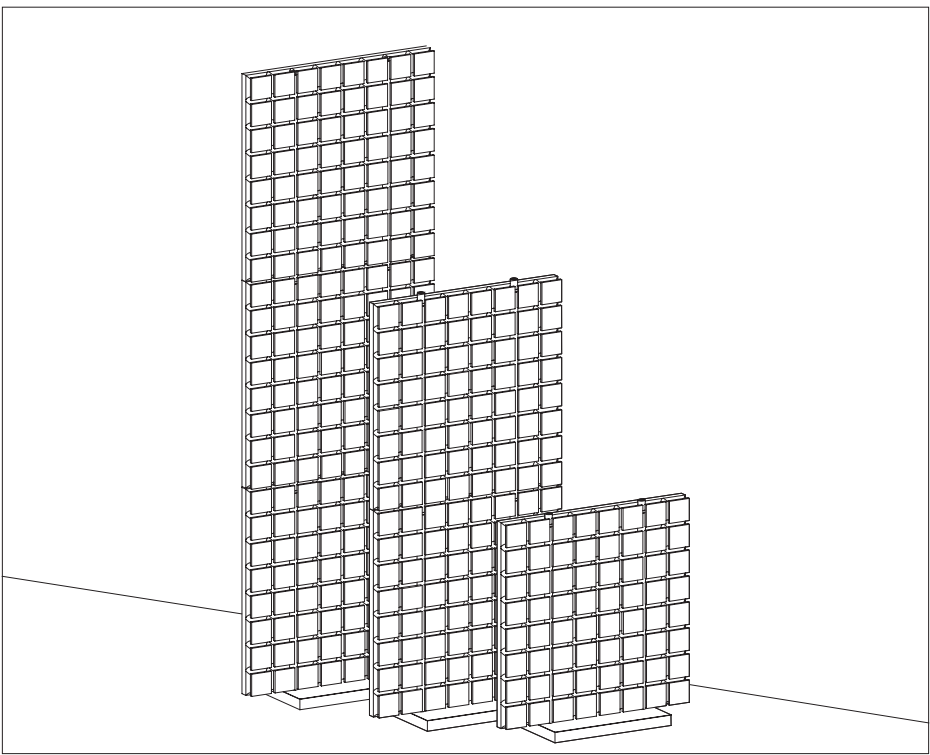


✓ MATERIAL NEEDED

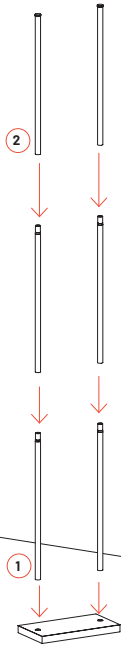
Included



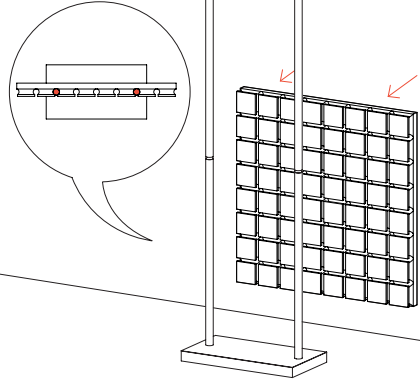
Flexi A50 x9 ① x12 ② x6 Base x3



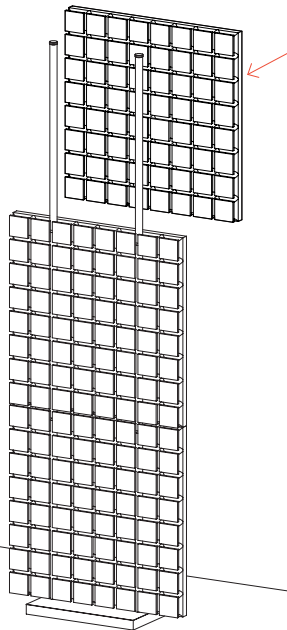
1



2



3



Main Office, R&D & Logistics

Avenida do Pólo 3, N.º 159, Carvalhosa
4590-137 Paços de Ferreira, Portugal
T (+351) 255 136 746

Office

Rua Quinta do Bom Retiro N.º 16, Armazém 9
2820-690 Charneca da Caparica, Portugal
T (+351) 212 964 100

Info and Sales

E sales@vicoustic.com

www.vicoustic.com



© Vicoustic, 2019 | V1

No parts of this document might be copied and/or published without written consent of Vicoustic.