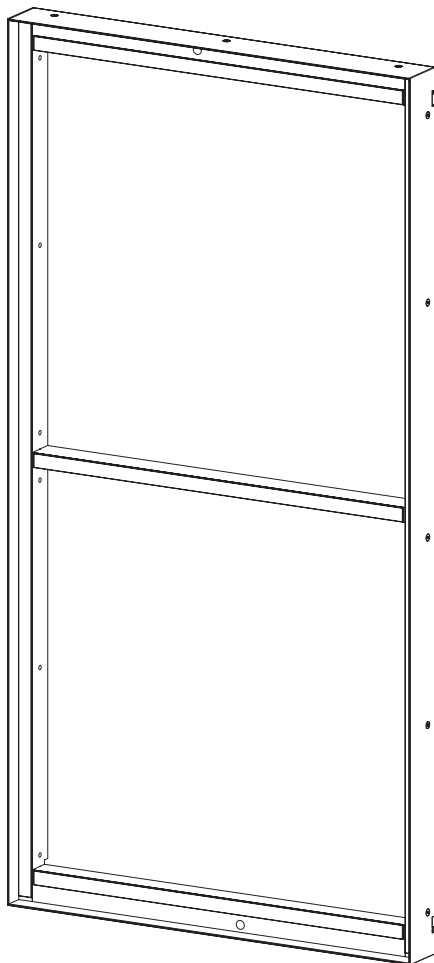


VicSpacer

Installation Manual

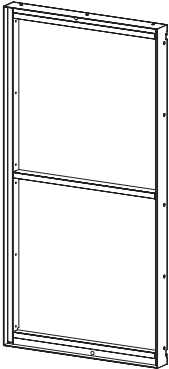


INDEX

Material Needed	4
Installation Options	5
1. Ways of using the gouge F	6
1.1 Installation of one unit	
1.2 Installation of two units	
1.3 Installation of three units	
1.4 Ways of using the gauge X	
2. Wall Installation one unit	8
3. Wall Installation two units	10
4. Wall Installation three or more units	14
5. Wall Installation - Horizontal	19
6. Wall Installation - Flat Panel VMT 2380x1190	22
7. Ceiling Installation - one unit	27
8. Ceiling Installation - two or mores units	29
9. Ceiling Installation - With J Profile 2m	32
10. Corner Installation	34
11. Flat Panel VMT Installation	36

✓ MATERIAL NEEDED

Included



VicSpacer



G_Velcro



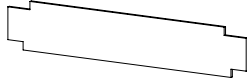
H



L_VicFix Mini

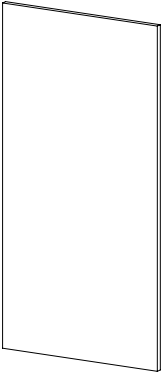


F_Gauge

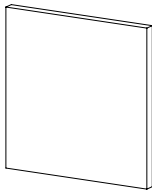


X_XXL Gauge

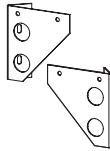
Not Included



Flat Panel VMT



VicPET Whool Filling



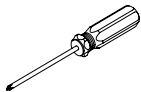
VicFix Corner



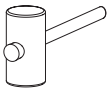
Wall Plugs and Screws



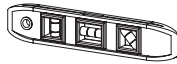
Measuring Tape



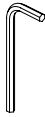
6mm Phillips Screwdriver



Rubber Hammer



Level



Hex Screwdriver



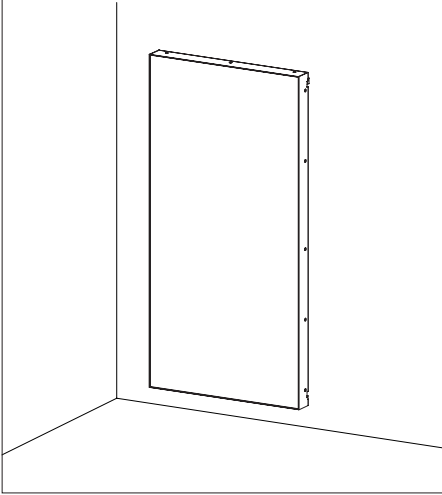
Drill

Installation Options

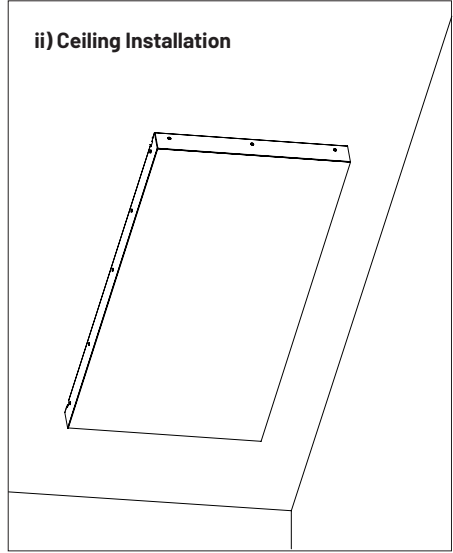
This product can be installed on:

- i) the wall using VicFix Mini (included) or fixing screws (not supplied);
- ii) the ceiling using VicFix J Profile 2m (sold separately) or fixing screws (not supplied)
- iii) vertical corners using VicFix Corner (sold separately)

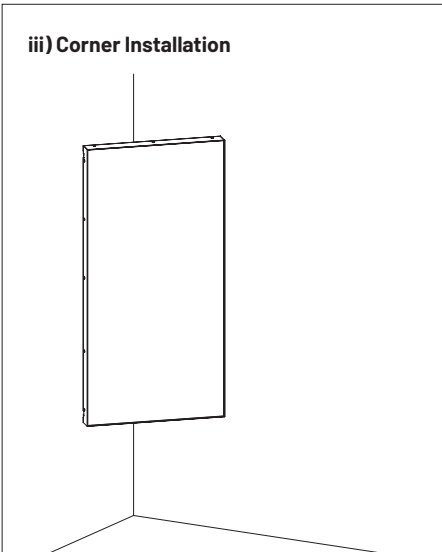
i) Wall Installation



ii) Ceiling Installation



iii) Corner Installation

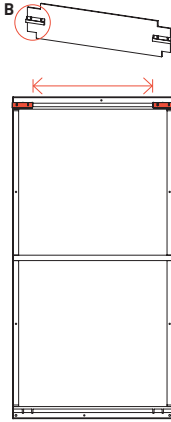


1

Ways of using the gauge F

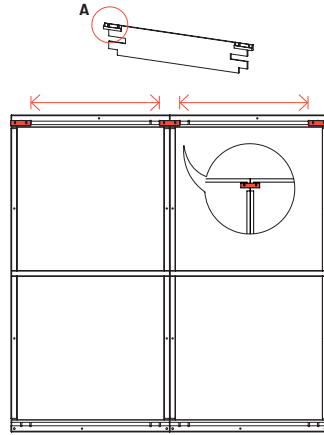
1.1

Installation of one unit



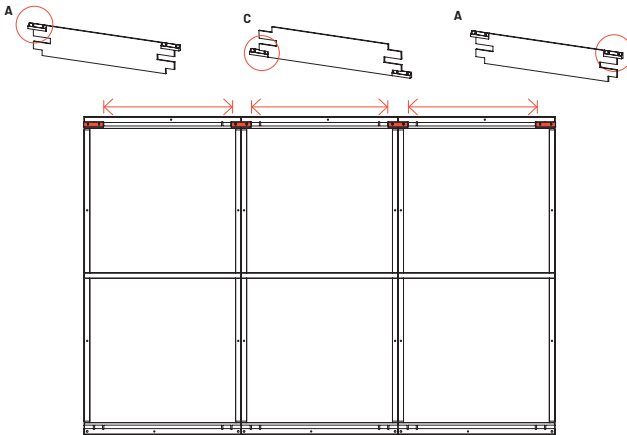
1.2

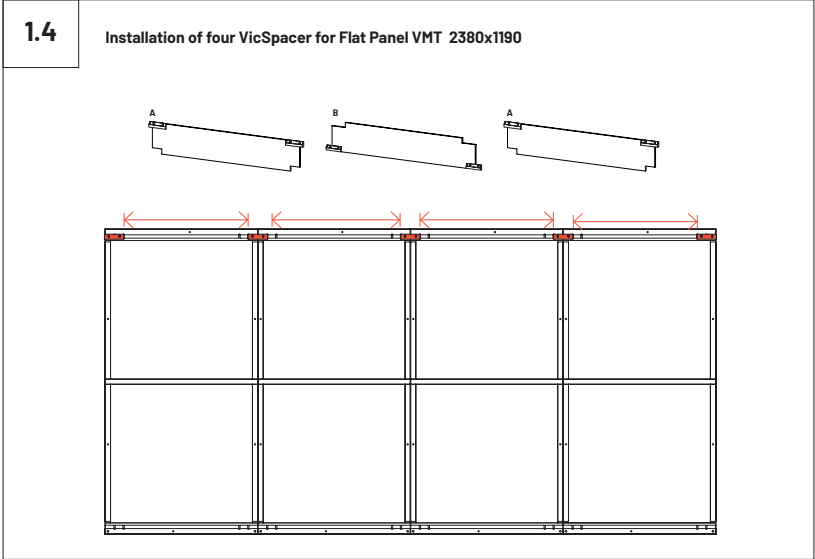
Installation of two units



1.3

Installation of three or more units



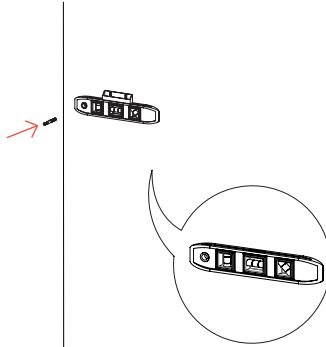


2

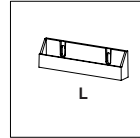
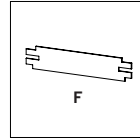
Wall installation - One unit

2.1

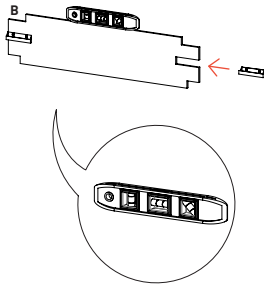
After defining the place where you want to install the VicSpacers, start marking the position of the fixation clips as described on pages 6 and 7 of the manual - **Ways of using the gauge F.**



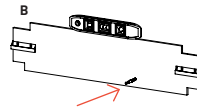
Steps Material

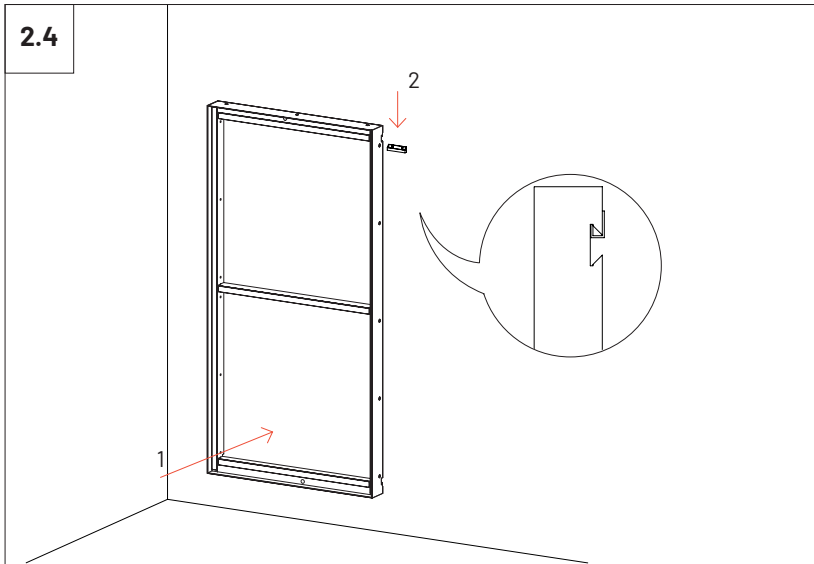


2.2



2.3



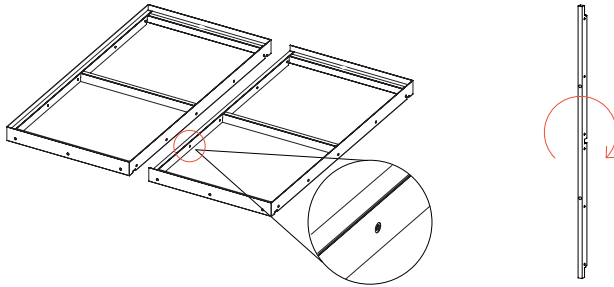


3

Wall installation - Two units

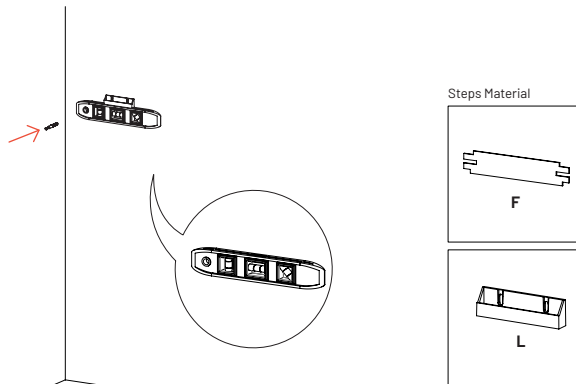
3.1

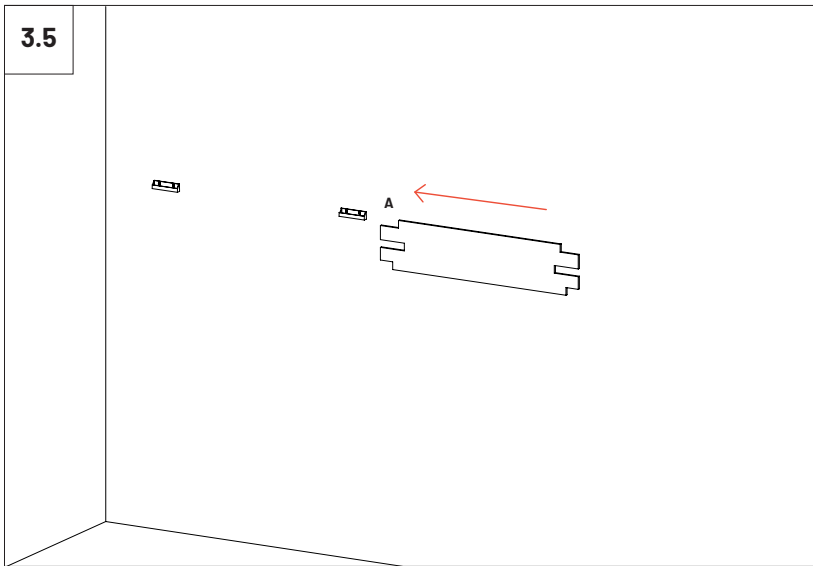
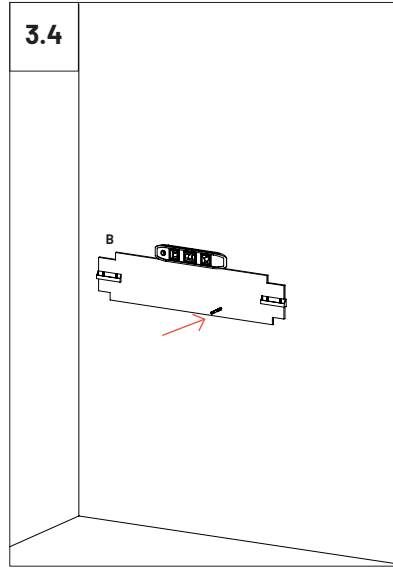
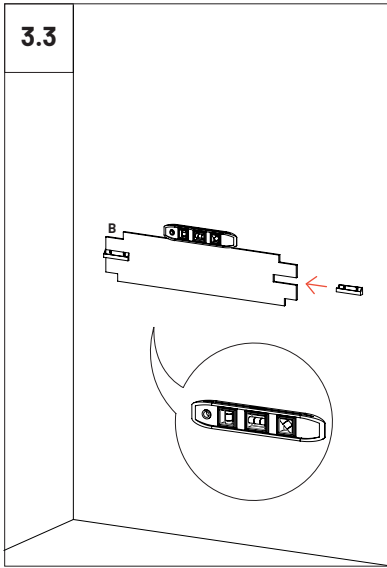
When installing two or more VicSpacer side by side, use only one metal joint (side plate) between them, fixed to one of the structure with the screws provided. The contact plywood strip of the right side unit has to be rotated 180° so that the fixing nuts face the same direction and allow tightening between VicSpacers with the screws provided

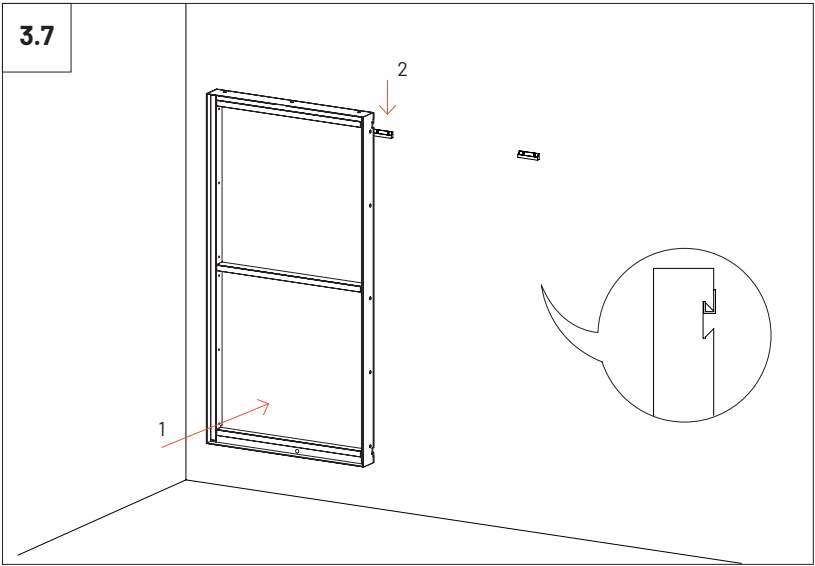
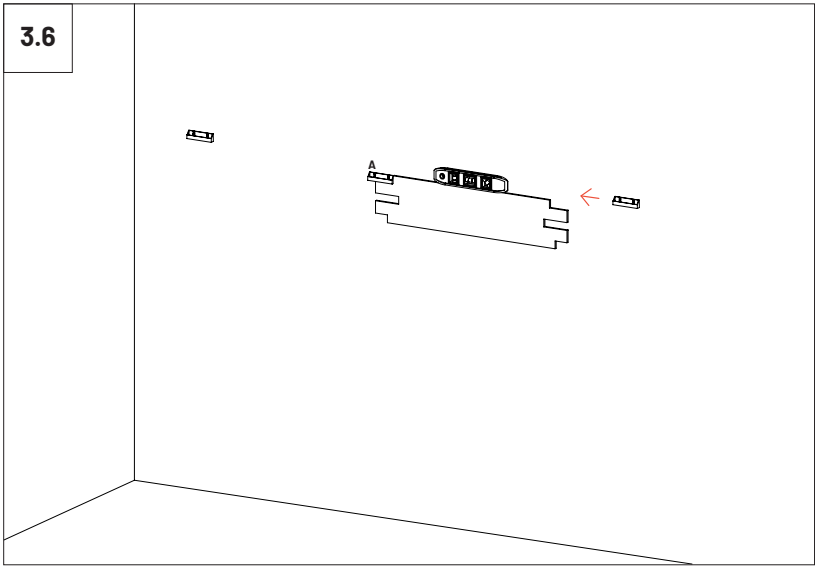


3.2

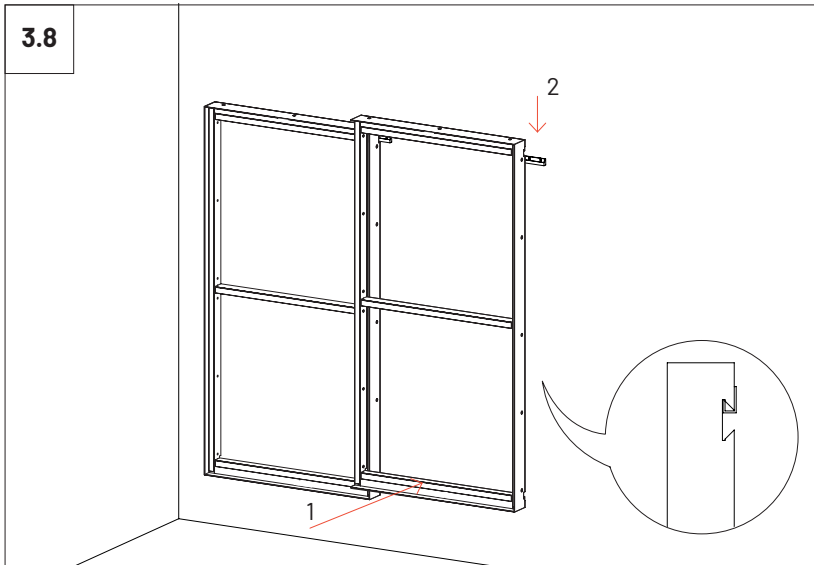
After defining the place where you want to install the VicSpacers, start marking the position of the fixation clips as described on pages 6 and 7 of the manual - **Ways of using the gauge F.**



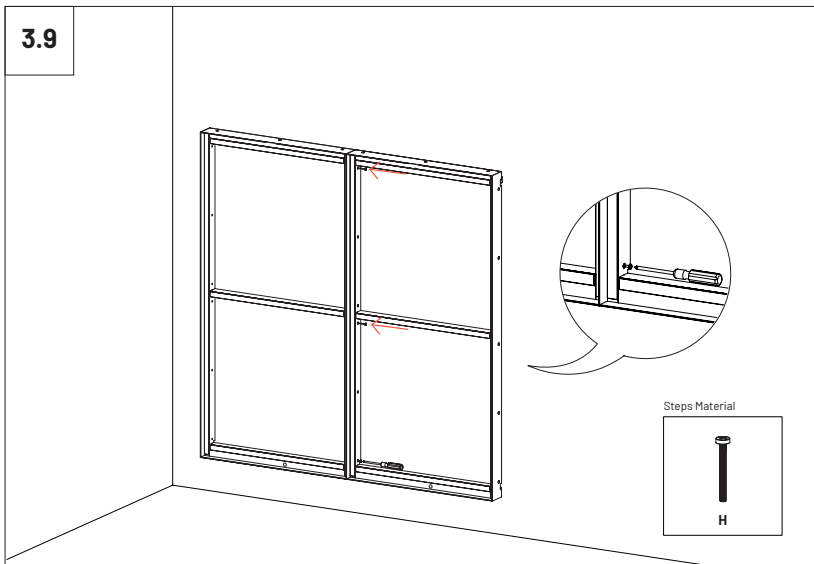




3.8



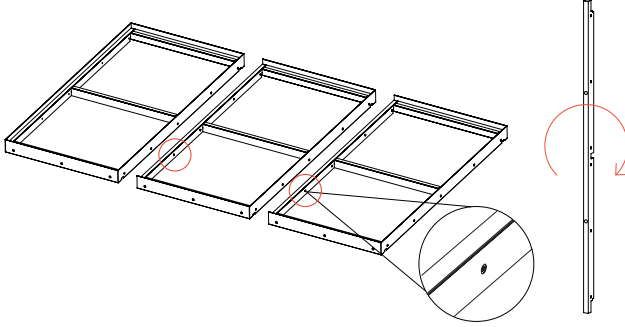
3.9



Wall installation - Three or more units

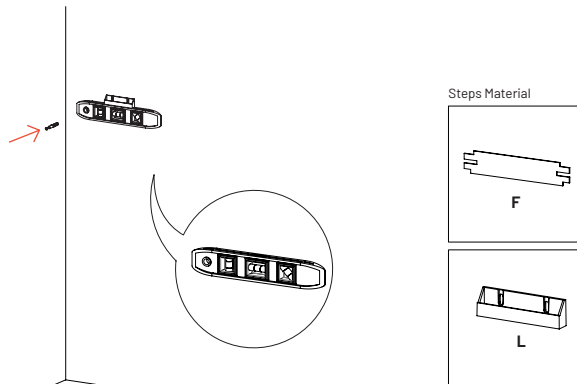
4.1

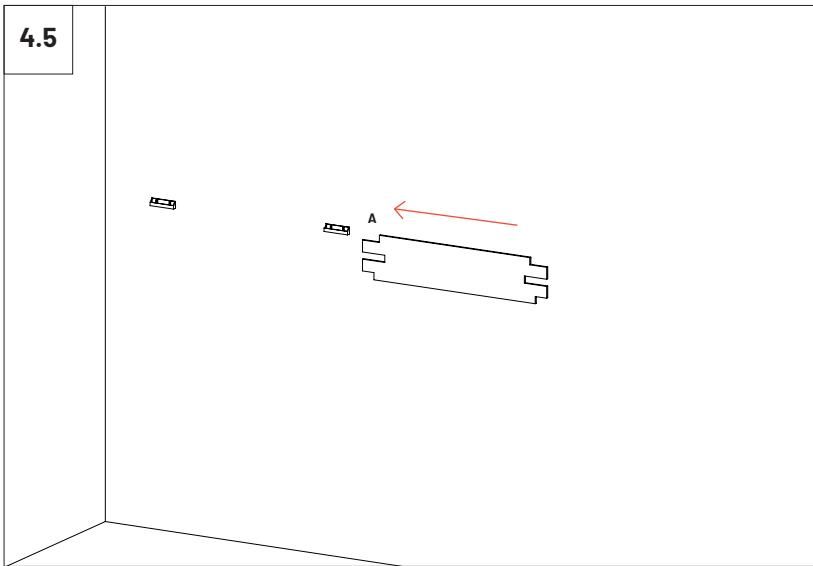
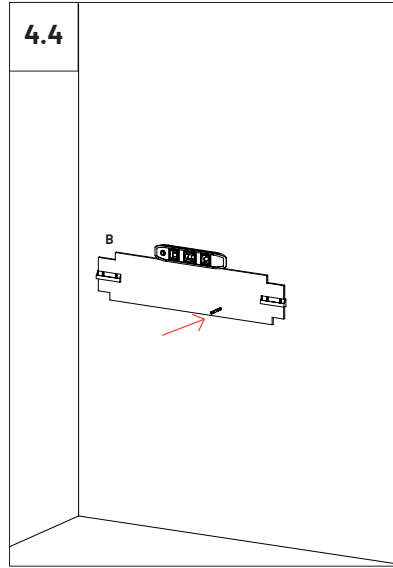
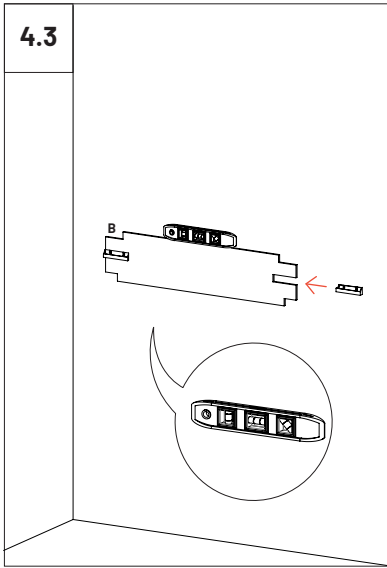
When installing three or more VicSpacers side by side, use only one metal joint (side plate) between them, fixed to one of the structure with the screws provided. The contact plywood strip of the right side unit has to be rotated 180° so that the fixing nuts face the same direction and allow tightening between VicSpacers with the screws provided

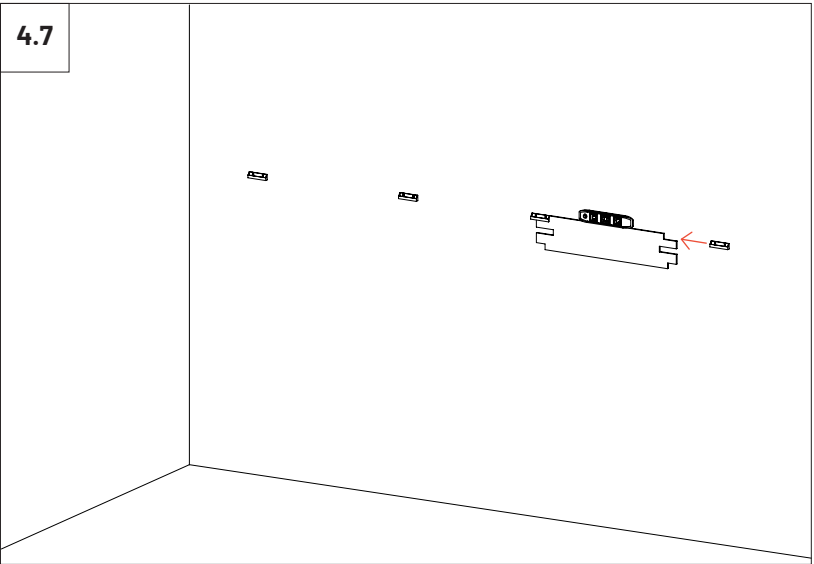
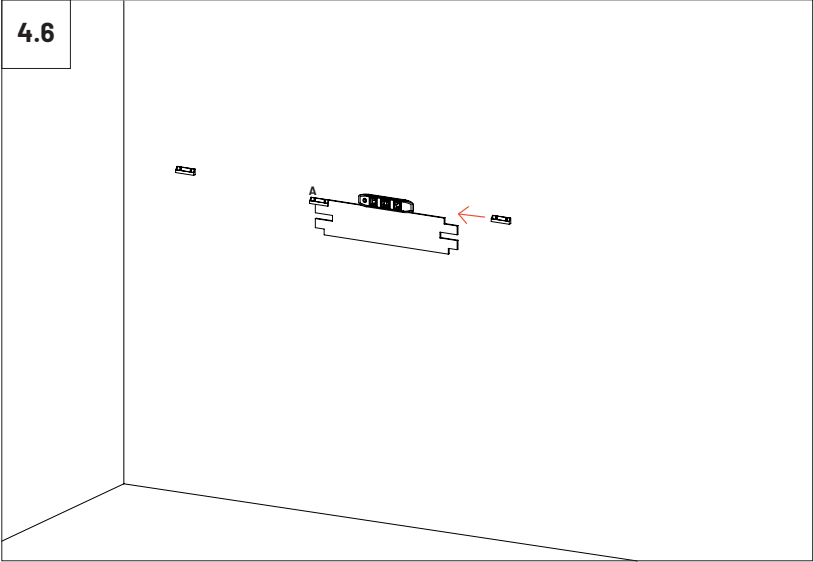


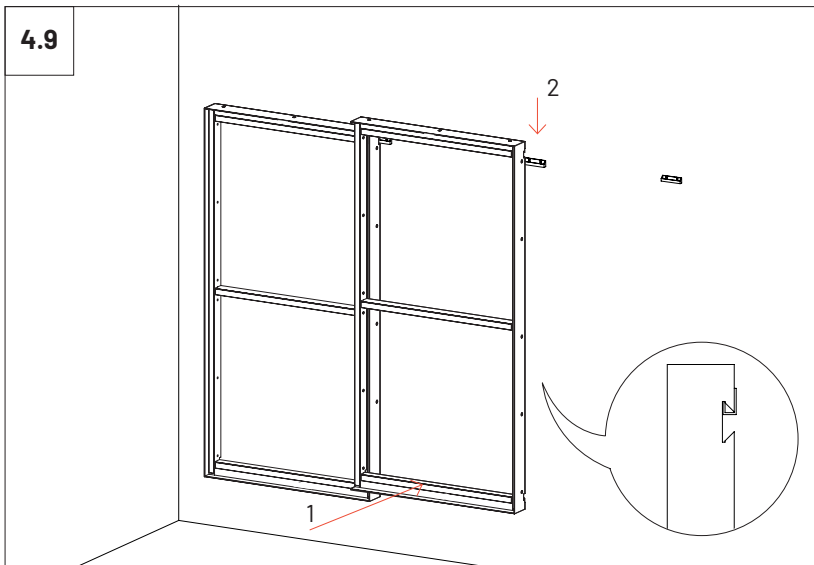
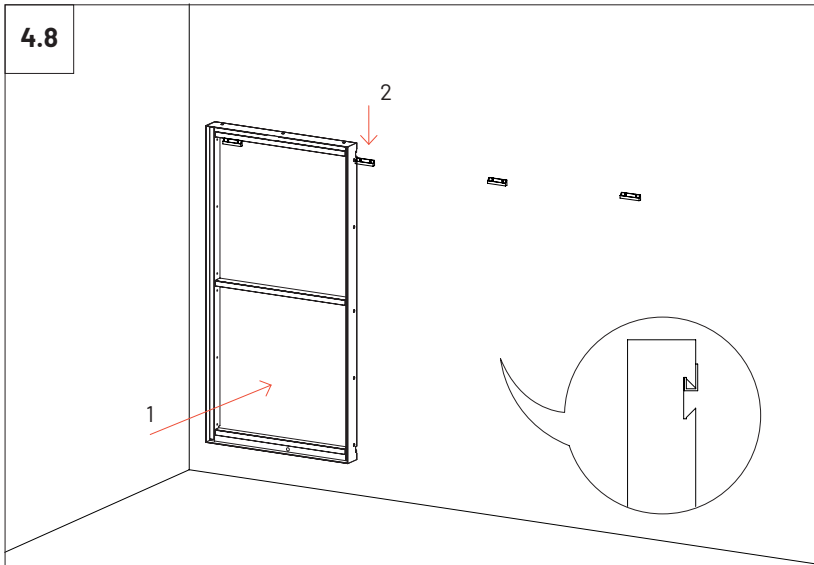
4.2

After defining the place where you want to install the VicSpacers, start marking the position of the fixation clips as described on pages 6 and 7 of the manual - **Ways of using the gauge F.**

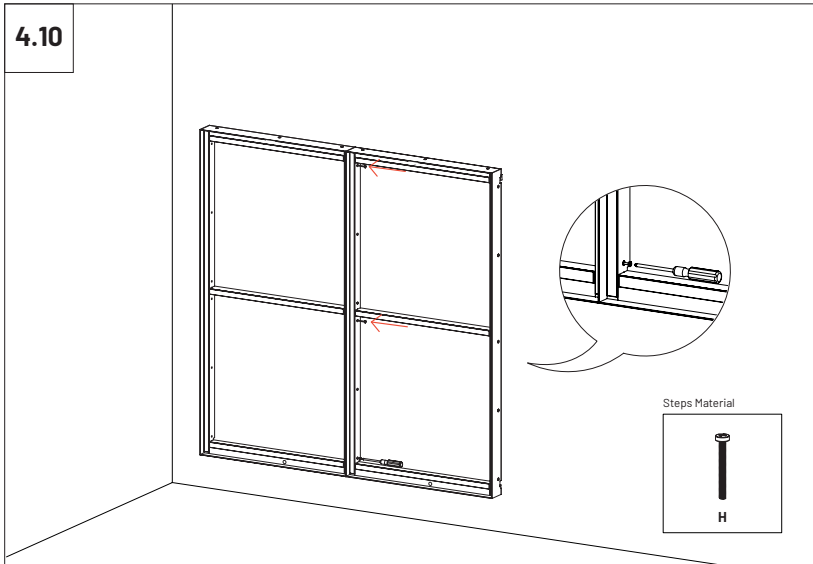




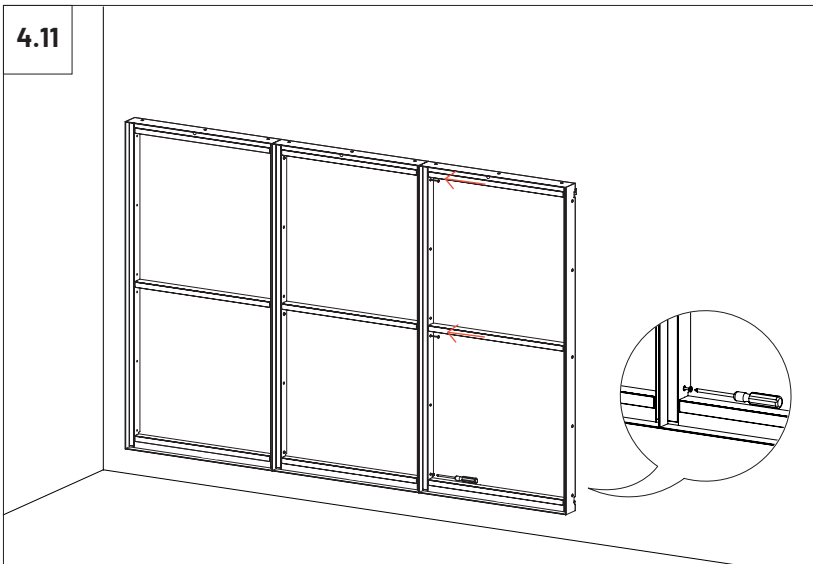




4.10



4.11

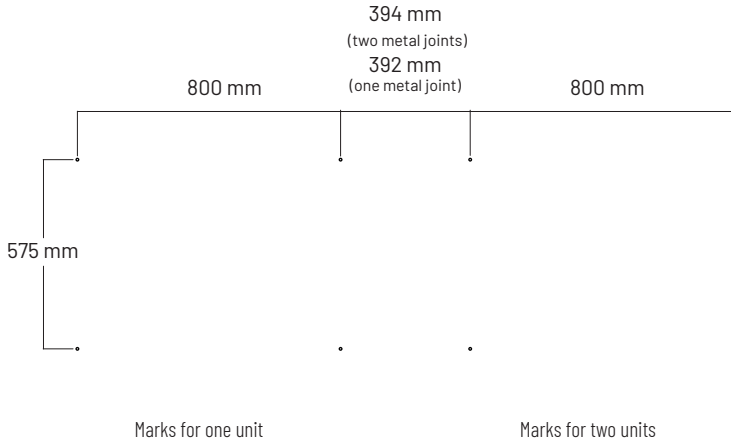


5

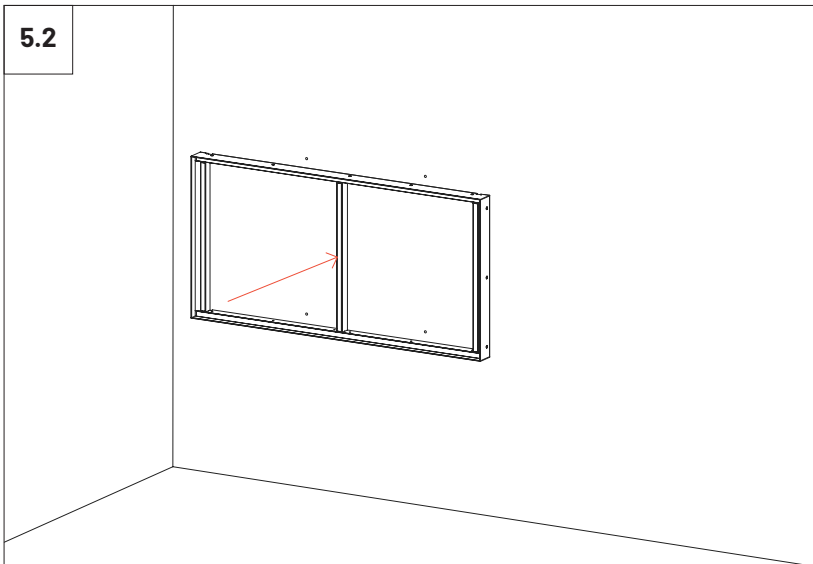
Wall Installation - Horizontal (screw mounted panel) *screws not included

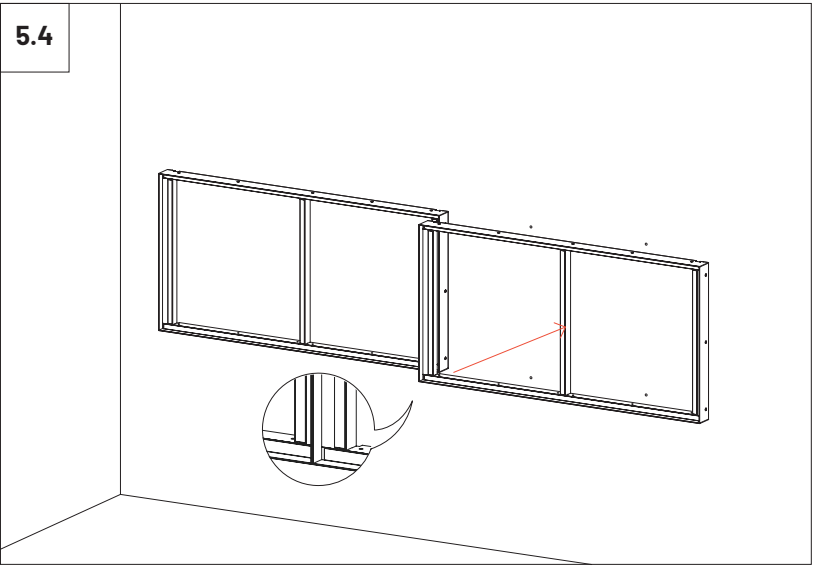
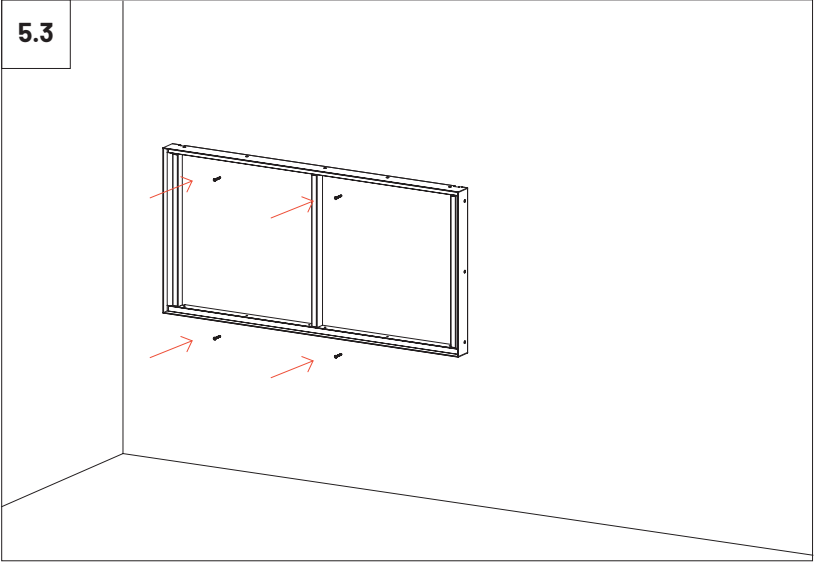
5.1

Mark the drill holes of the VicSpacers according to the diagram.

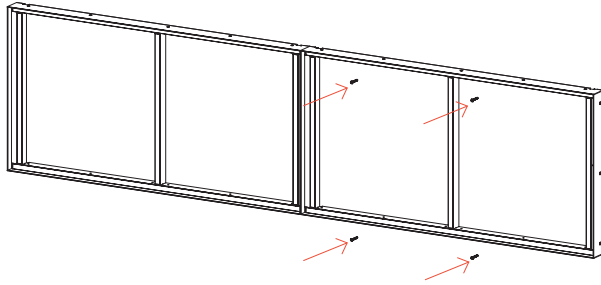


5.2





5.5

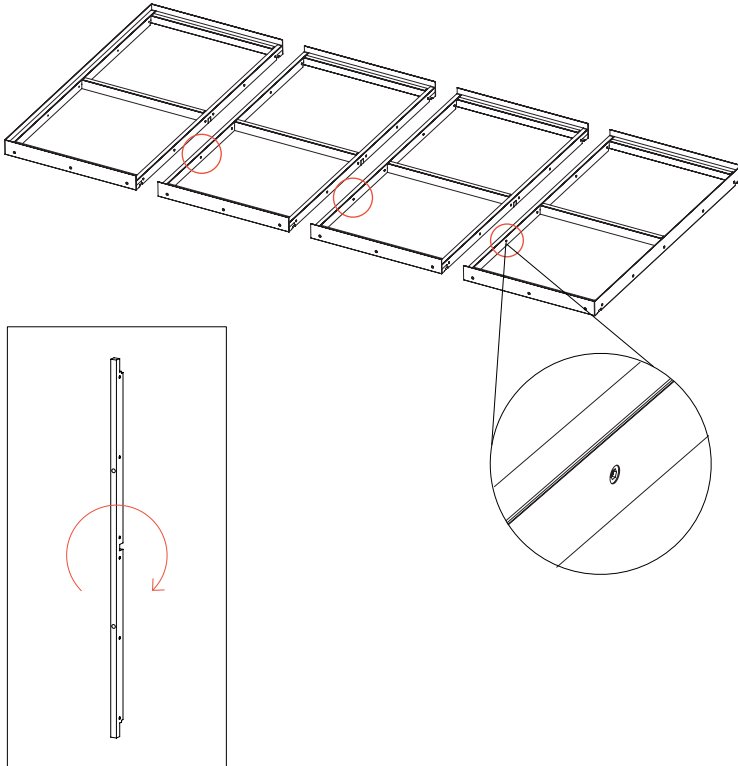


6

Wall Installation - Flat Panel VMT 2380 x1190

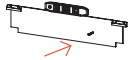
6.1

When installing four VicSpacer by side to install a Flat Panel VMT 2380x1190, do not use the metal joints (side plates) between them. The contact plywood strip of the right side panel has to be rotated 180° so that the fixing nuts face the same direction and allow tightening between VicSpacers with the screws provided.

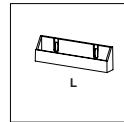
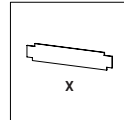


6.2

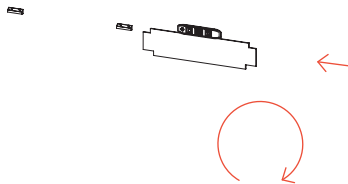
After defining the place where you want to install the VicSpacers, start marking the position of the fixation clips as described on pages 6 and 7 of the manual - **Ways of using the gauge X.**



Steps Material

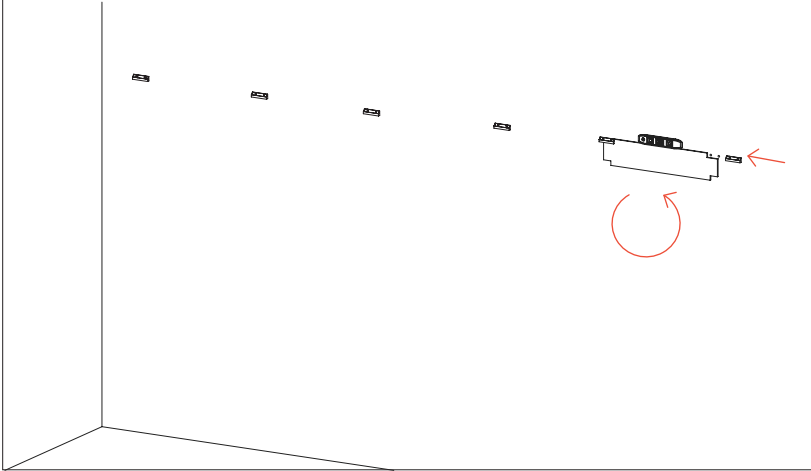
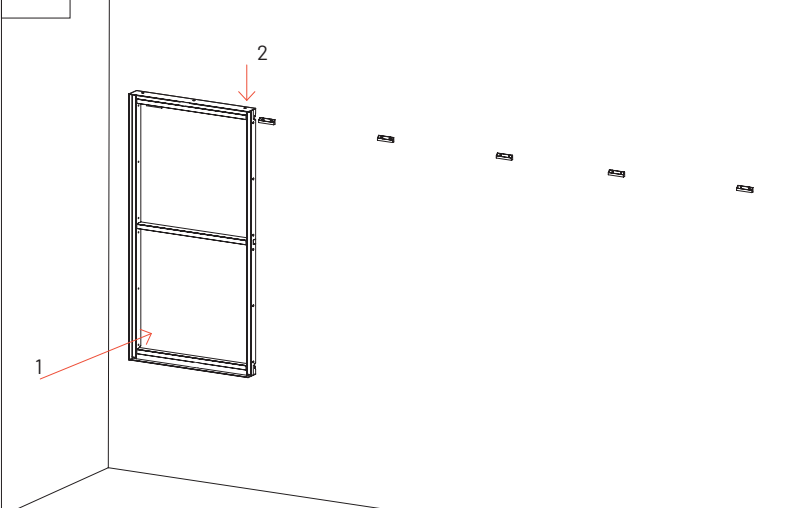
**6.3**

Turn the gauge as shown in the diagrams to install the VicFix Mini on the central panels.

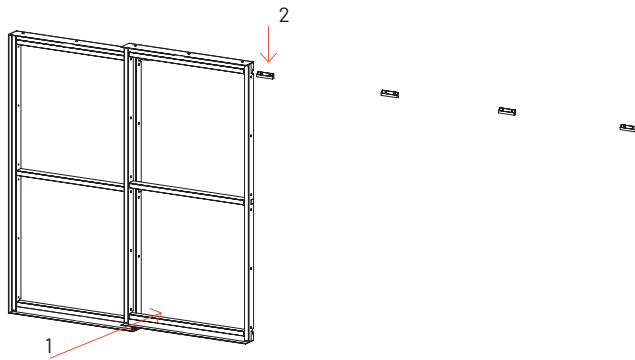


6.4

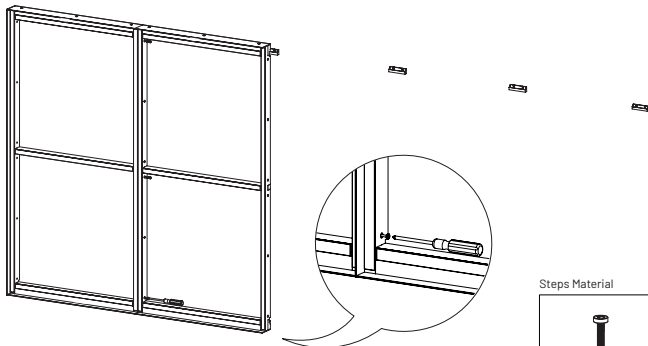
Re-rotate the gauge as shown in the diagrams to install the final VicFix Mini.

**6.5**

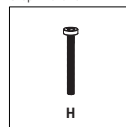
6.6

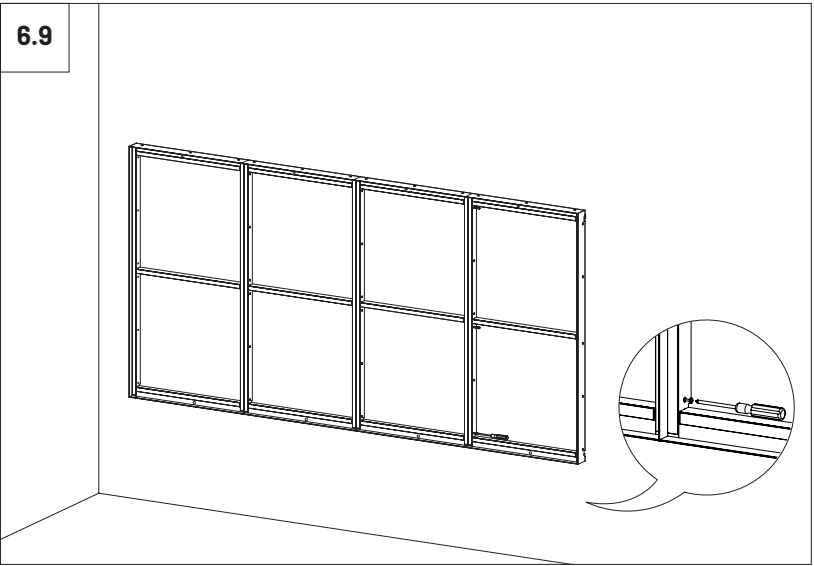
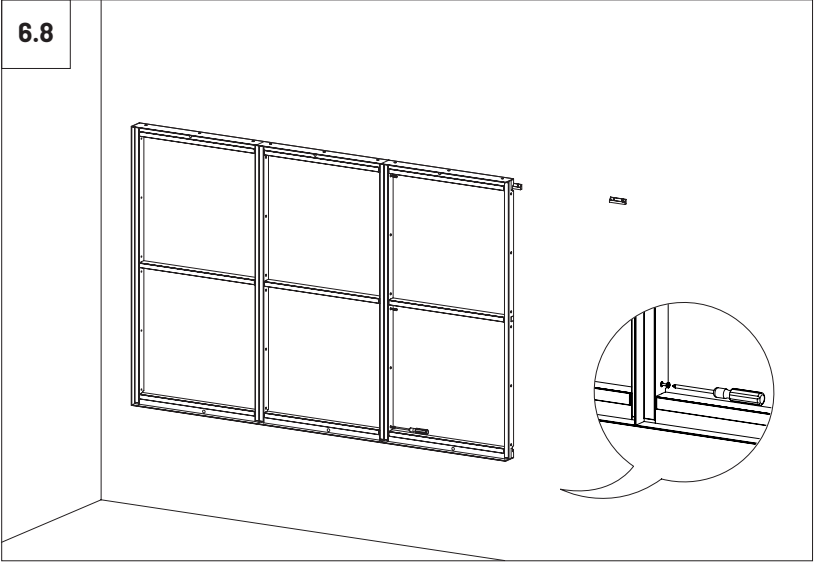


6.7



Steps Material





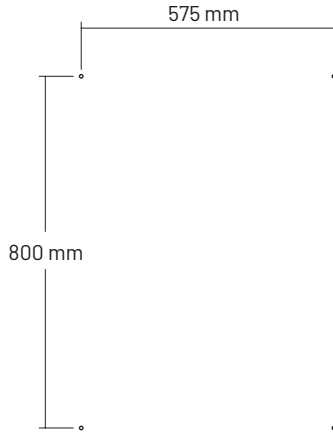
7

Ceiling Installation - one unit (screw mounted panel) *screws not included

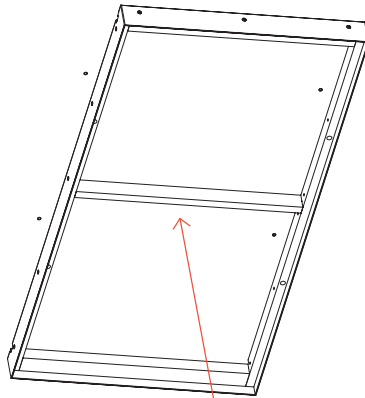
For installation with the VicFix J Profile 2m (optional), please consult the product manual.

7.1

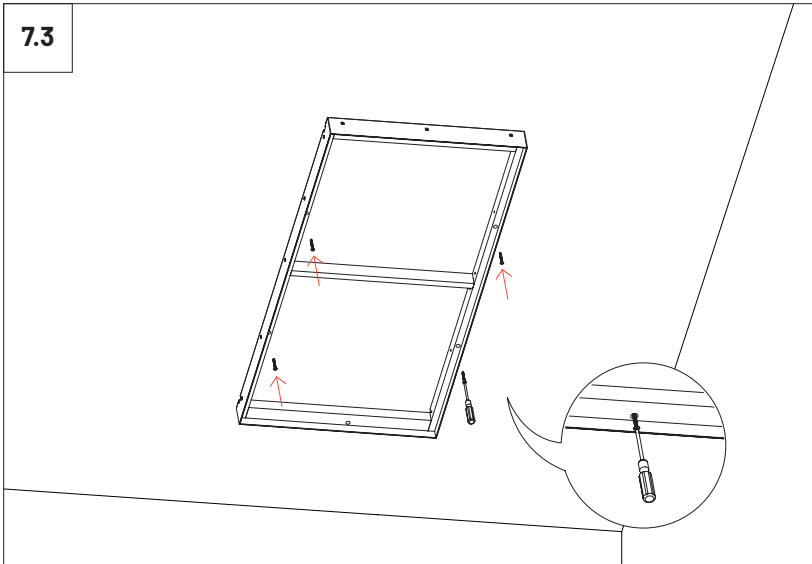
Mark the drill holes of the VicSpacers according to the diagram.



7.2

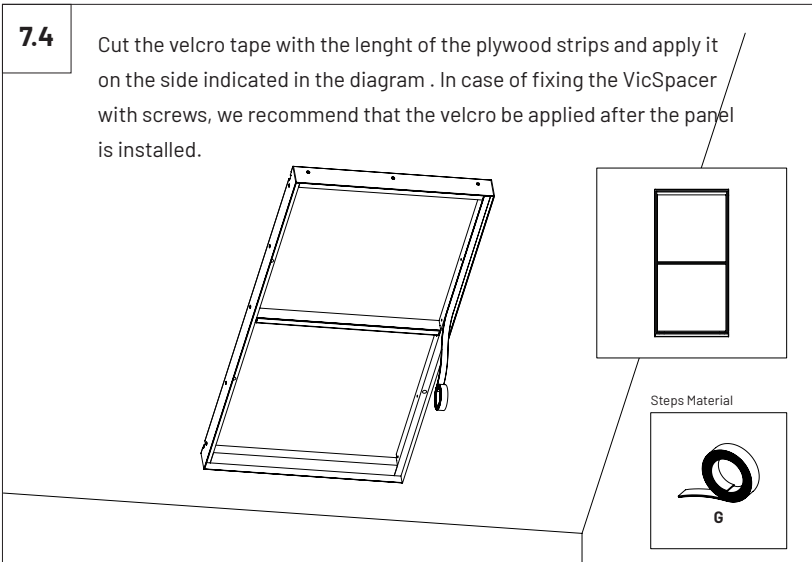


7.3



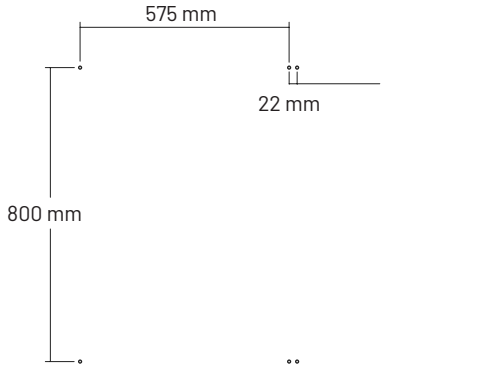
7.4

Cut the velcro tape with the length of the plywood strips and apply it on the side indicated in the diagram . In case of fixing the VicSpacer with screws, we recommend that the velcro be applied after the panel is installed.

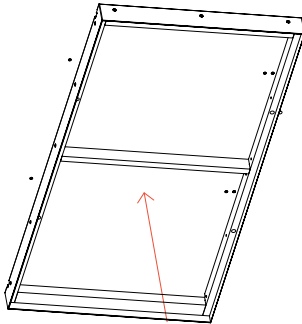


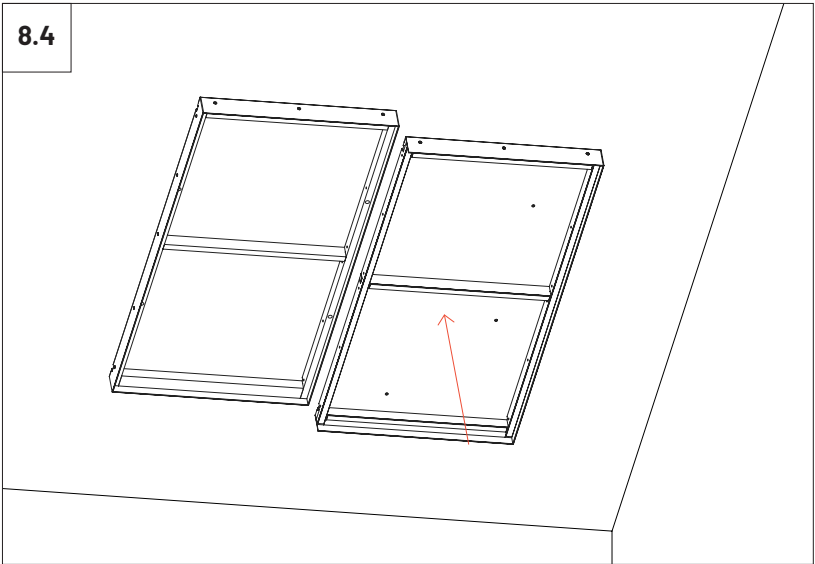
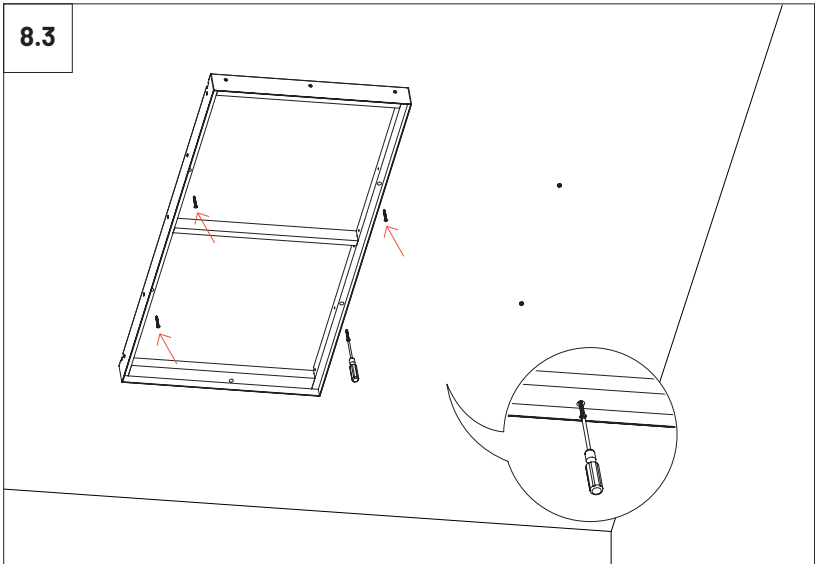
8.1

Mark the drill holes of the VicSpacers according to the diagram. In the case of installing two or more units, pay attention to the spacing between units. The dimensions marked between VicSpacers are for use of only one metal joint between them.

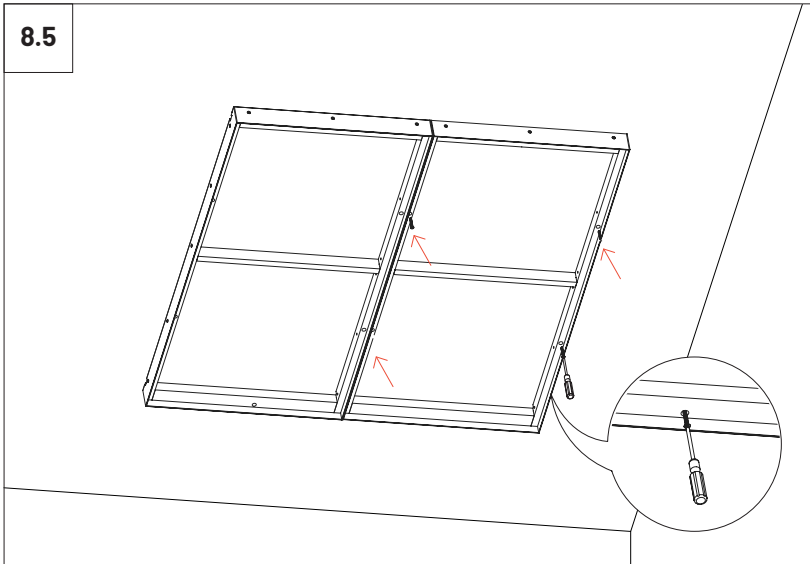


8.2



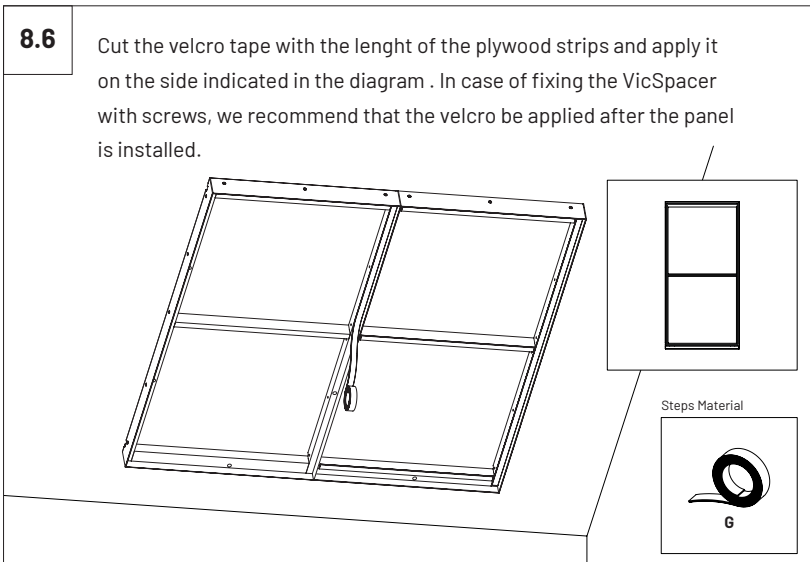


8.5



8.6

Cut the velcro tape with the length of the plywood strips and apply it on the side indicated in the diagram . In case of fixing the VicSpacer with screws, we recommend that the velcro be applied after the panel is installed.



9

Ceiling Instalation - With J Profile 2m (Sold separately)

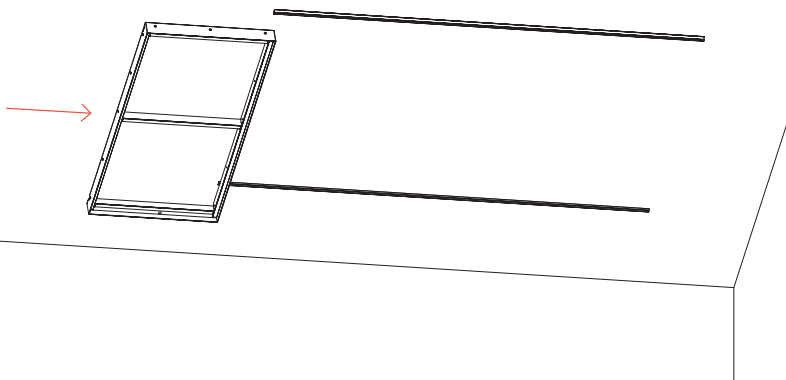
9.1

Drill the profiles and fix them to the ceiling following the distance indicated in the diagram.

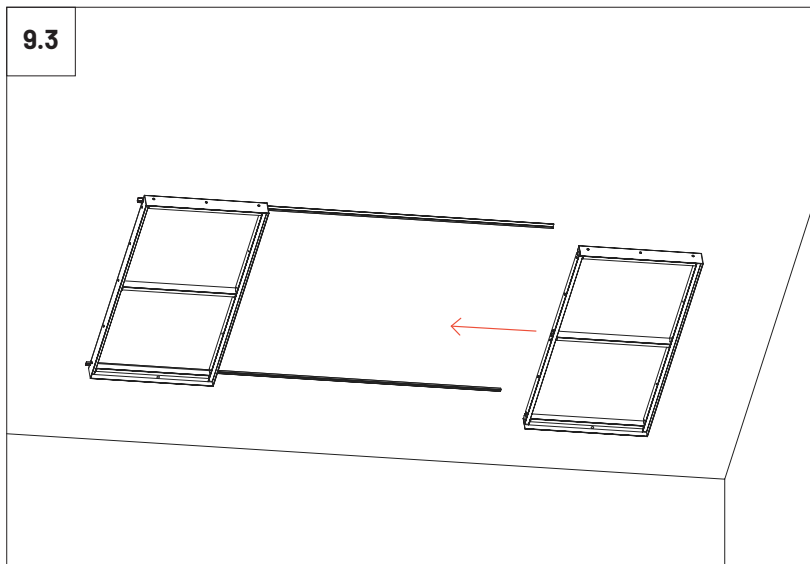


9.2

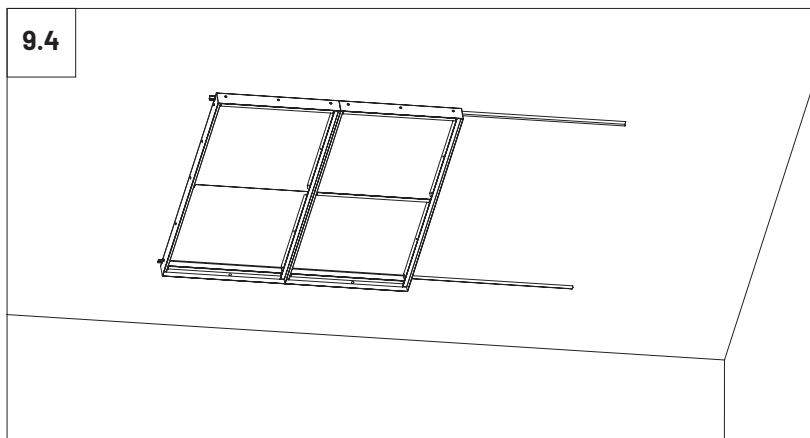
Slide the VicSpacer along the J profiles, through the lateral grooves.



9.3

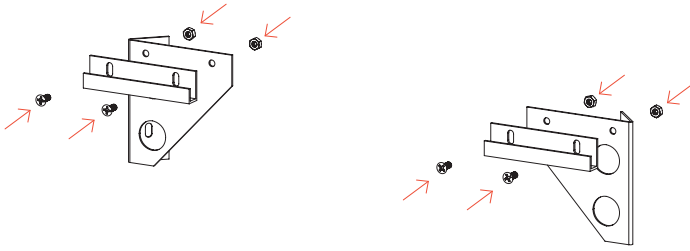


9.4

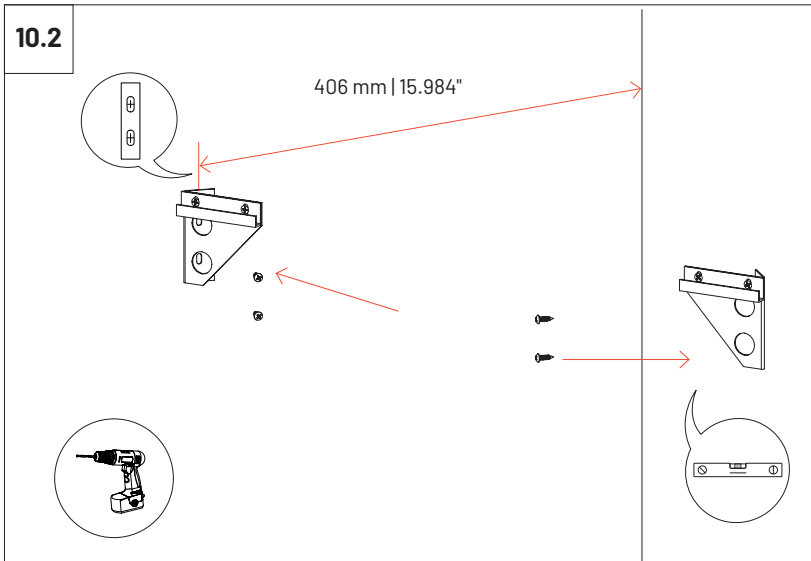


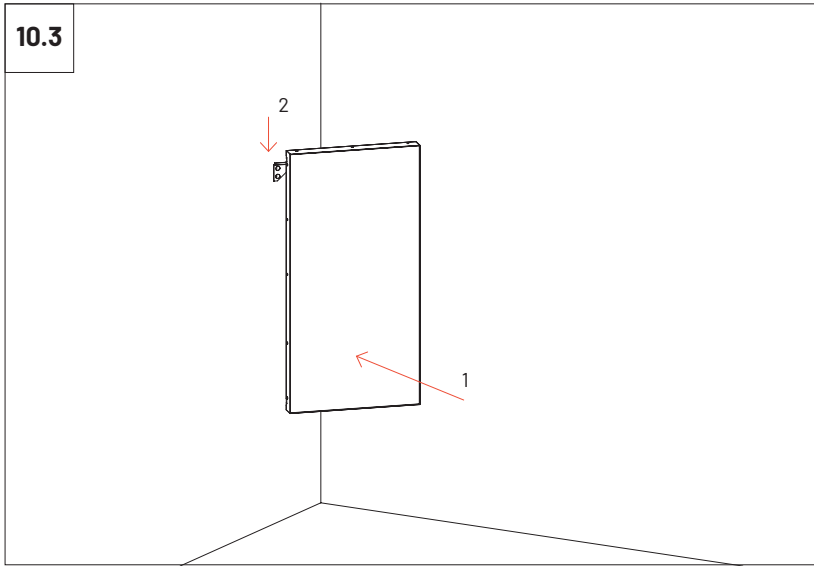
It is recommend to leave some centimeters beyond the first and the last panel to avoid it to loose contact with the VicFix J profile. In countries where earthquakes are likely to happen, it should be applied a blocking element such as a L profile to avoid the last panel to slide off the VicFix J profile. Vicoustic will not take responsibility for any mistakes/ limitations occurring during installations or any damages resulting from falling panels.

10.1



10.2



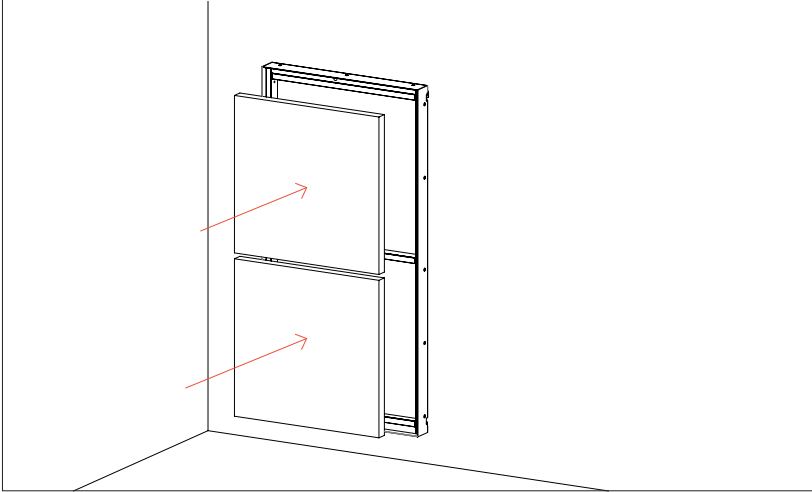


11

Flat Panel VMT Installation

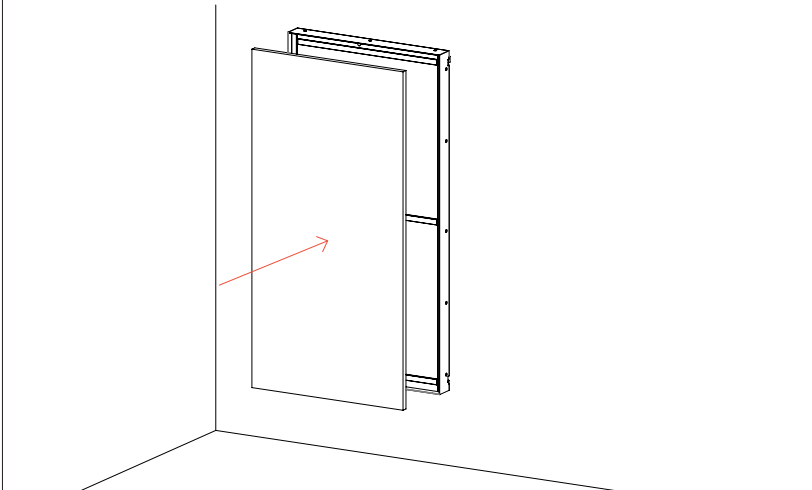
11.1

Insert the VicPET Wool Filling (only available in VicSpacer Plus version).



11.2

Apply the FlatPanel VMT.



Main Office, R&D & Logistics

Avenida do Pólo 3, N.º 159, Carvalhosa
4590-137 Paços de Ferreira, Portugal

Office

Rua Quinta do Bom Retiro N.º 16, Armazém 9
2820-690 Charneca da Caparica, Portugal
T (+351) 212 964 100

Info and Sales

E sales@vicoustic.com

www.vicoustic.com

V//COUSTIC
INNOVATIVE ACOUSTIC SOLUTIONS

© Vicoustic, 2021 | V1

No parts of this document might be copied and/or published without written consent of Vicoustic.