

Bill of Materials



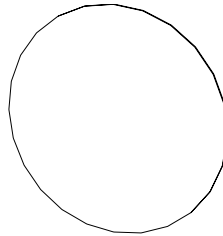
Rubber Cap



Magnet



Screws



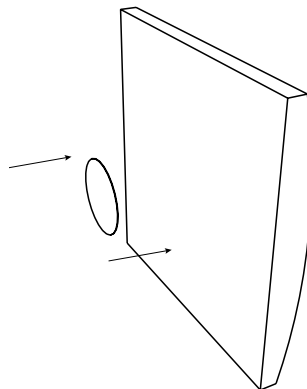
Round Metal Part

Required Apparatus:

- 6 x Round Metal Part
- 6 x Magnets
- 6 x Rubber Caps
- 6 x Screws (Flat Head 3x20 mm)
- 1 x Flexi Glue

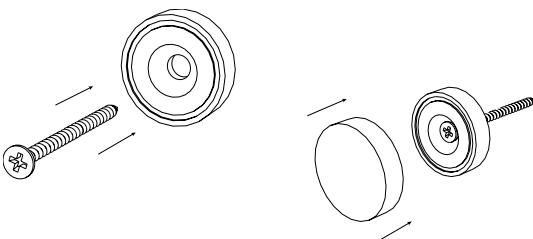
Step 1

Glue the round metal part to the back of your Vicoustic acoustic panel you want to attach to the wall.



Step 2

Screw the magnet into the wall. Then attach the rubber cap to it, in order to prevent the Vicoustic panel from sliding down.



Step 3

Push the Vicoustic Panel against the magnet.

