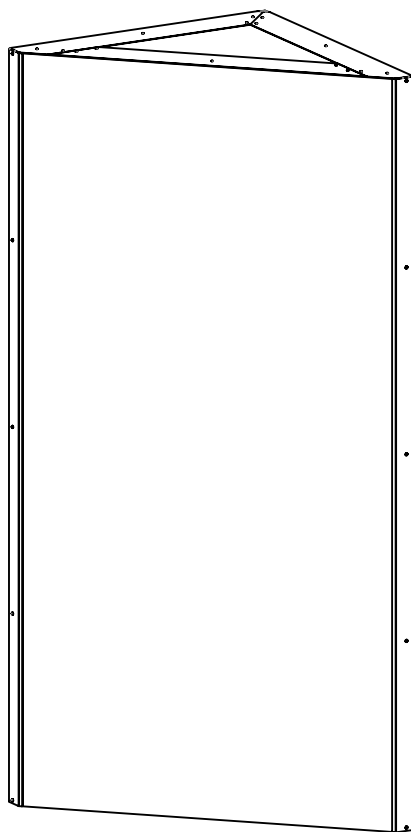


Mega Bass Trap VMT XXL

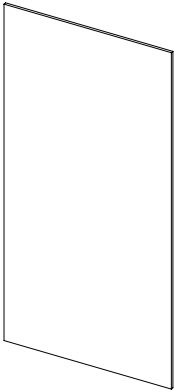
Installation Manual

EN

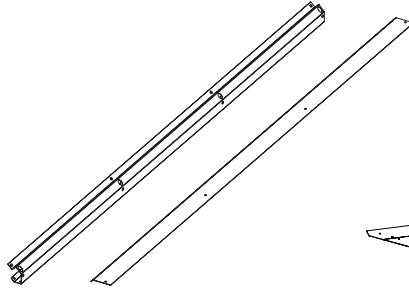


✓ MATERIAL NEEDED

Included

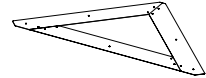


FlatPanel VMT x2



Profile x4

Finishing Profile x4



Cover x2



Protection Bar x10

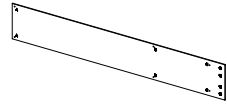


Screws x20

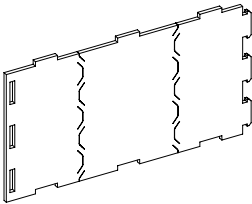
Screws x20



Cover Bracket x2

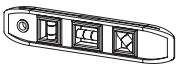


Gauge x1



PET Filling x32

Not Included



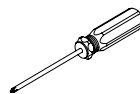
Level



Measuring Tape



Drill



Screwdriver



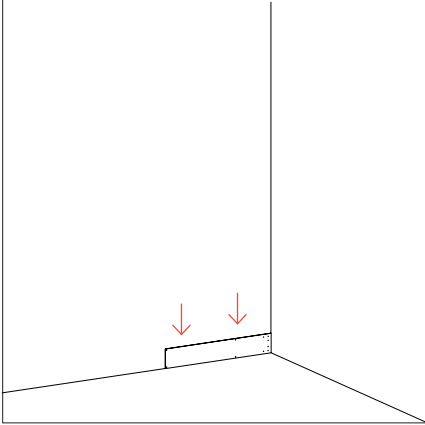
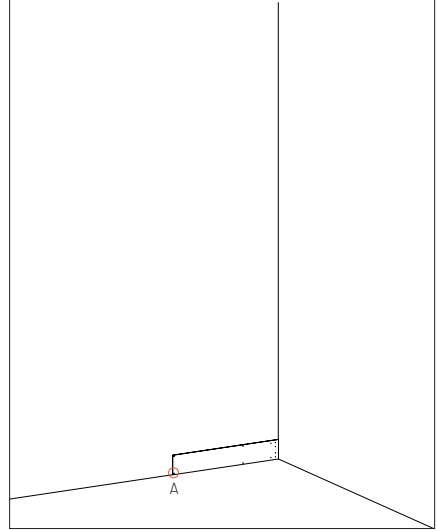
Pencil



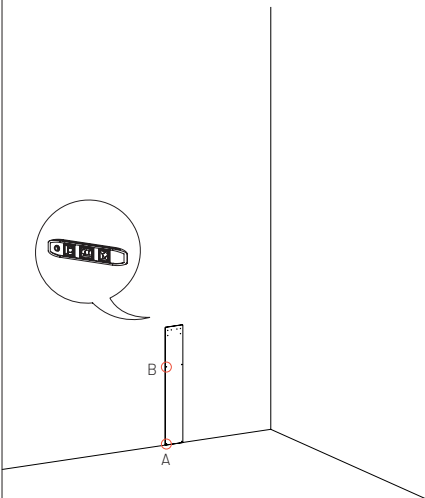
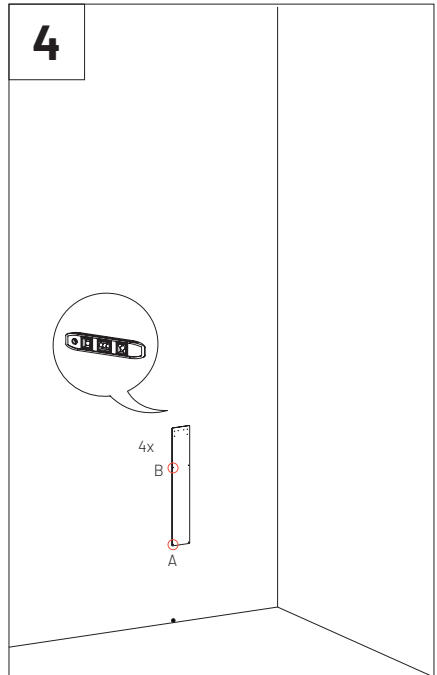
Wall Plugs and Screws

1

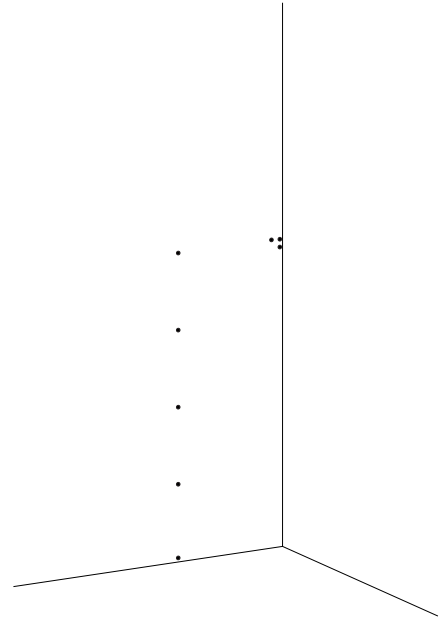
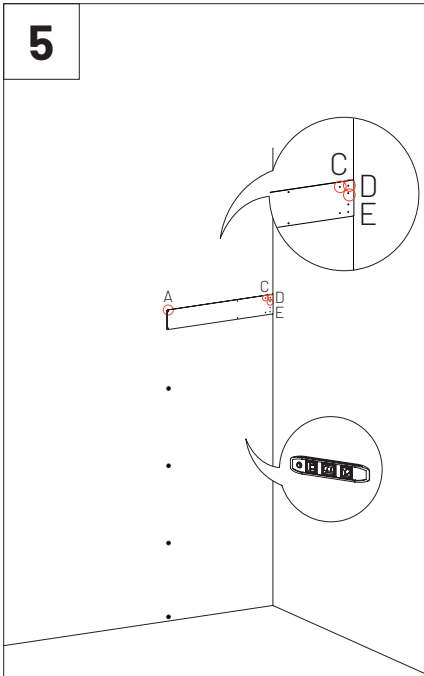
Use the gauge provided to mark the holes for fixing the Mega Bass Trap VMT XXL profiles, according to the diagrams.

**2****3**

Mark the starting point "A" and use it as a reference so that you can mark point "B". Repeat this step 4x.

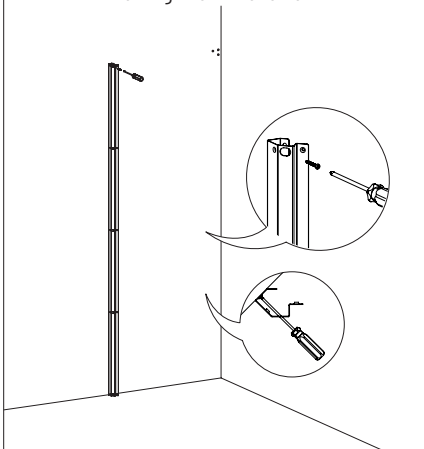
**4**

5



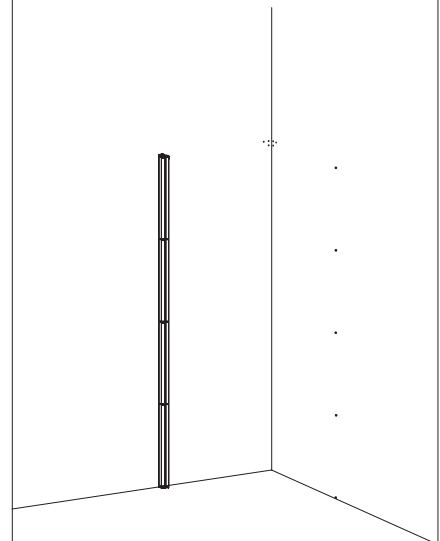
6

If necessary, open the holes in the marked places, and apply the wall plugs. Fix the profile indicated, with screws suitable for the wall where you are making the installation.



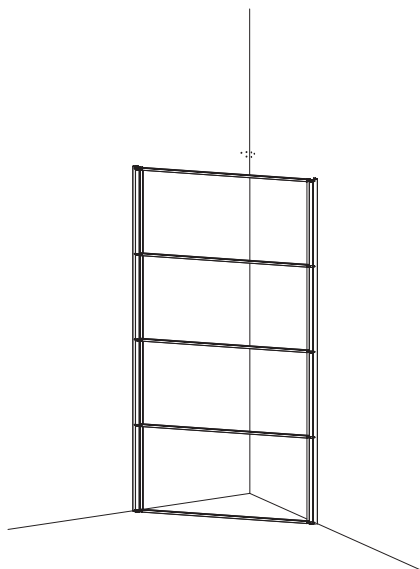
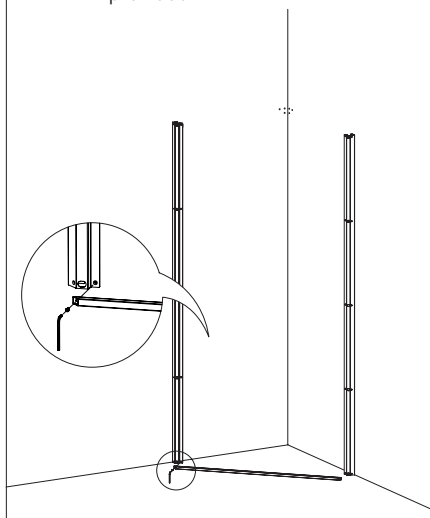
7

Repeat the same steps to make the markings on the in the another wall.

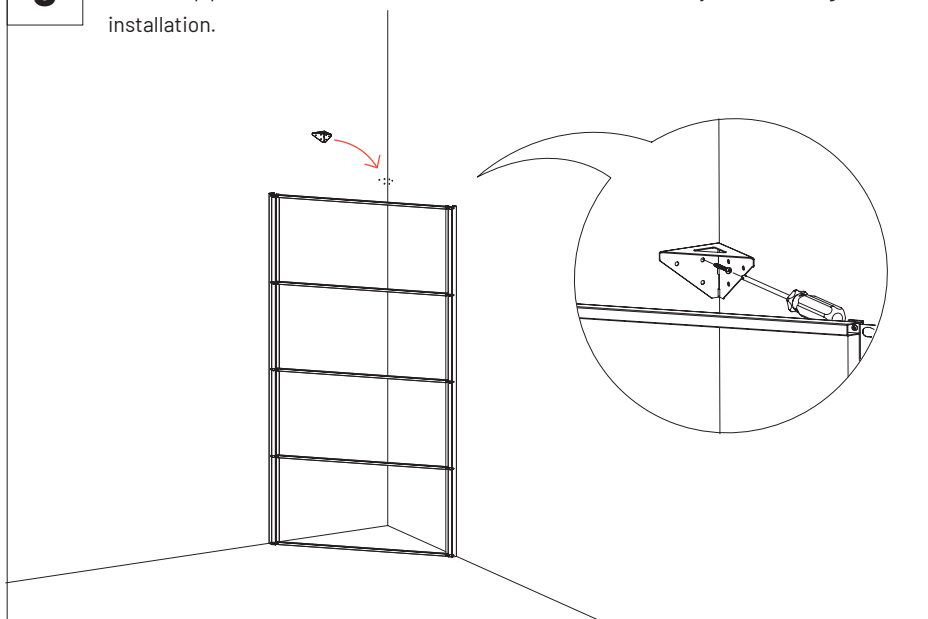


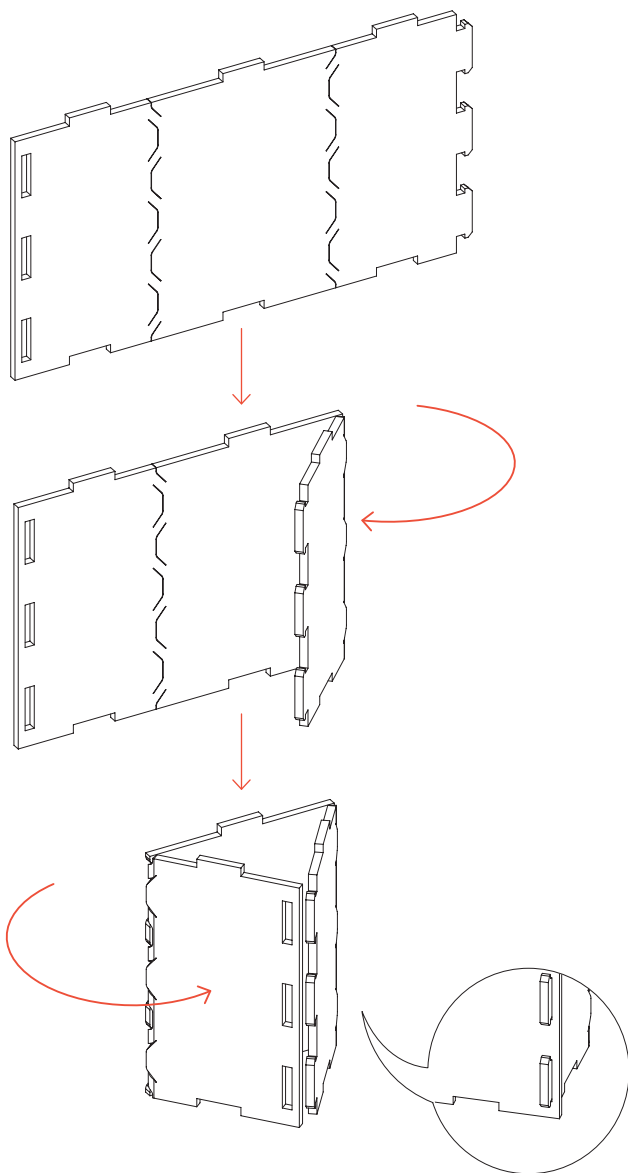
8

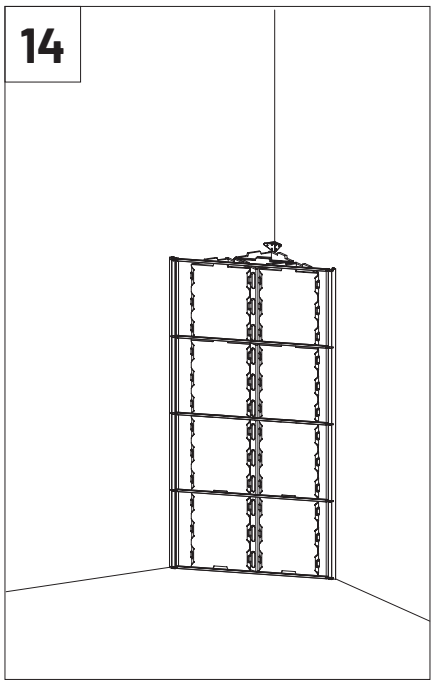
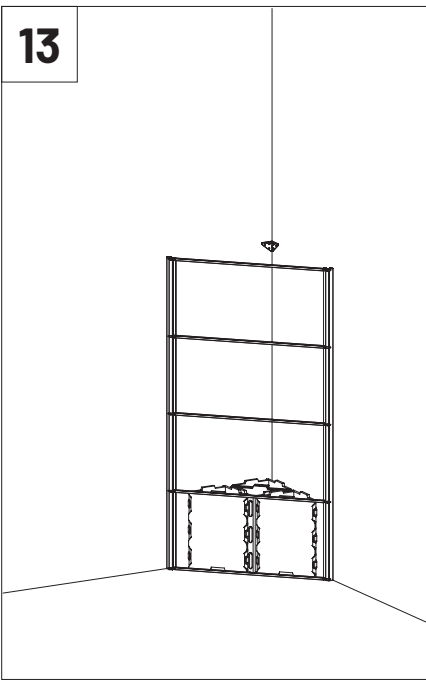
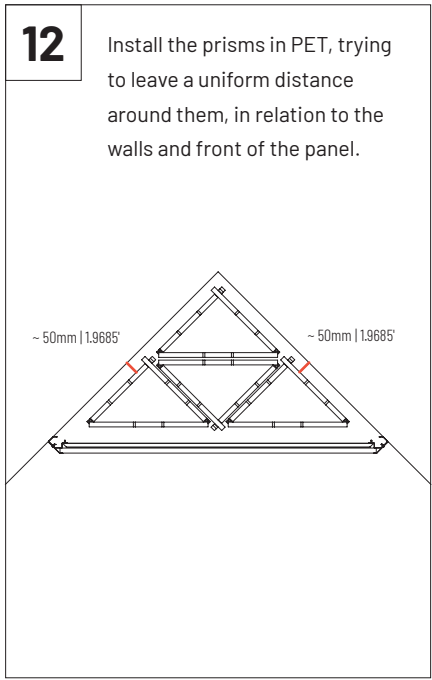
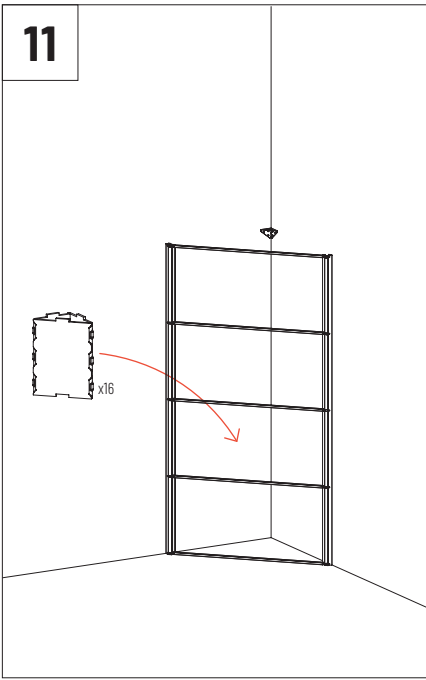
After installing the second profile, fix the protection bars with the metallic screws provided.

**9**

Fix the top plate bracket, with screws suitable for the wall where you are making the installation.

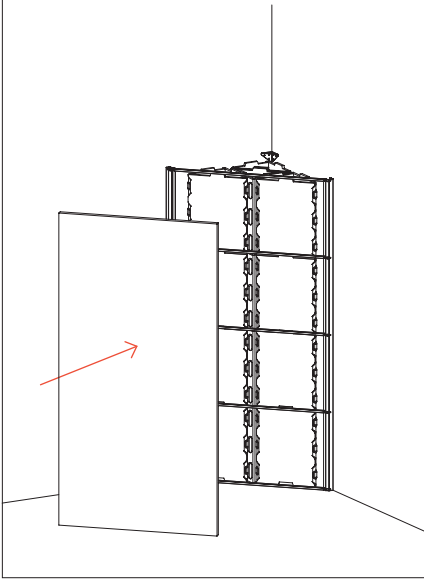
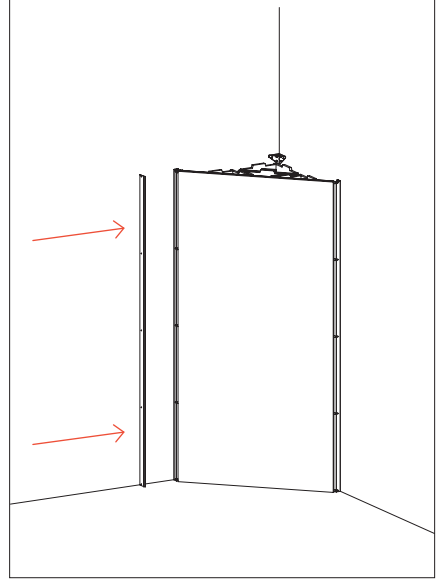




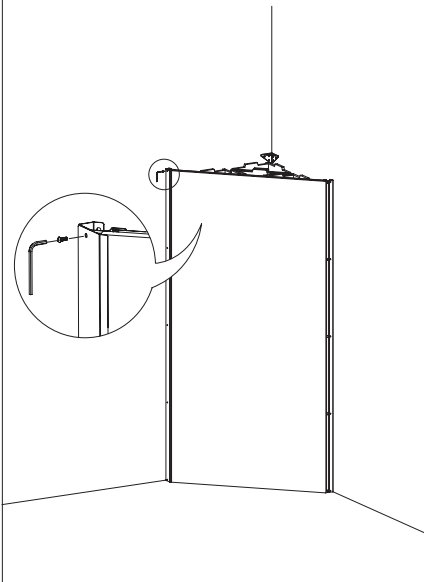


15

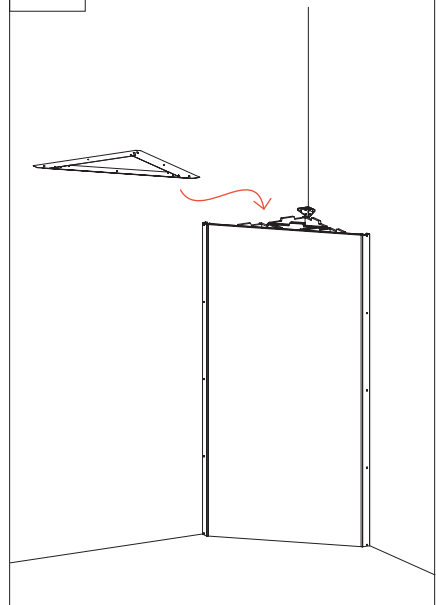
Install the VMT Panel.

**16****17**

Fix the finishing profile with the paintend screws supplied.

**18**

Install the Bass Trap cover.



Main Office, R&D & Logistics

Avenida do Pólo 3, N.º 159, Carvalhosa
4590-137 Paços de Ferreira, Portugal

Office

Rua Quinta do Bom Retiro N.º 16, Armazém 9
2820-690 Charneca da Caparica, Portugal
T (+351) 212 964 100

Info and Sales

E sales@vicoustic.com

www.vicoustic.com



© Vicoustic, 2022 | V1

No parts of this document might be copied and/or published without written consent of Vicoustic.